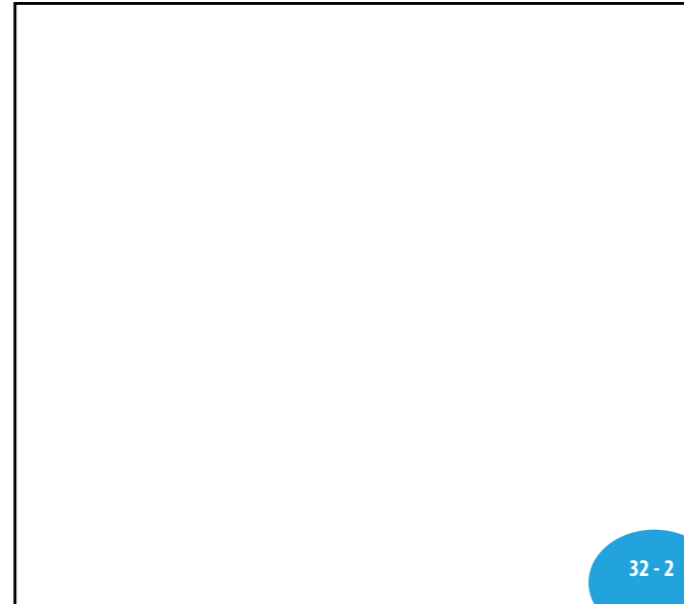
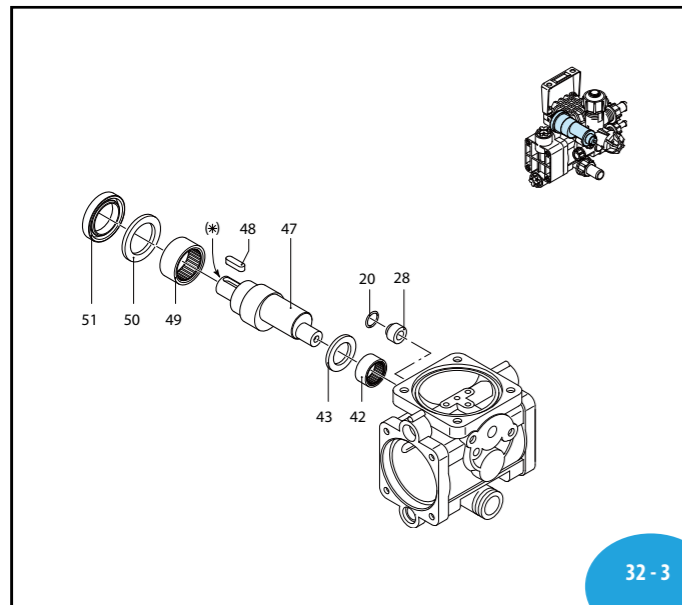


32 - 1

UN970040-ED

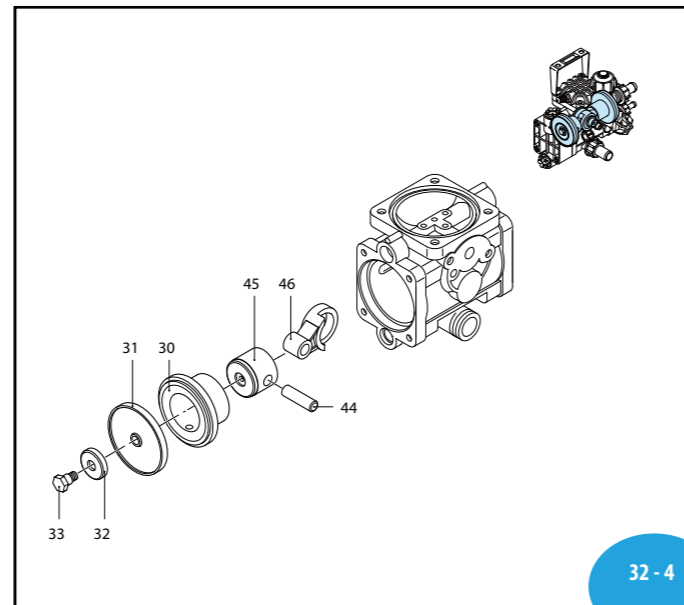


32 - 2



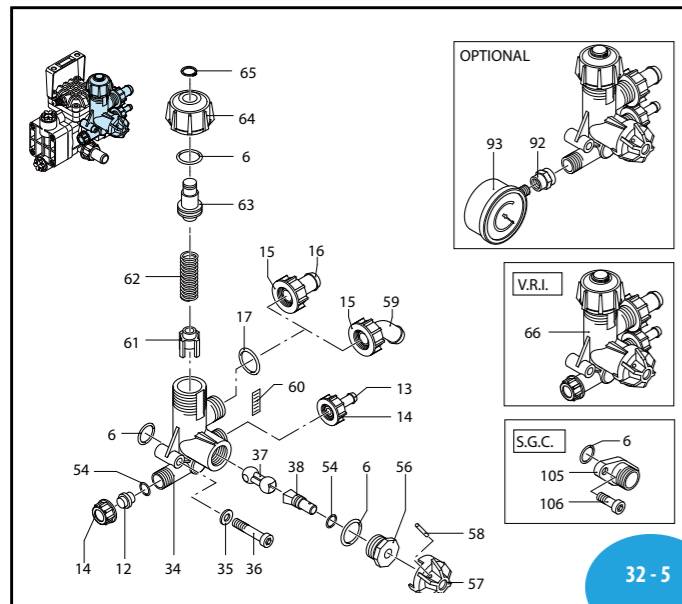
32 - 3

UN970041-ED



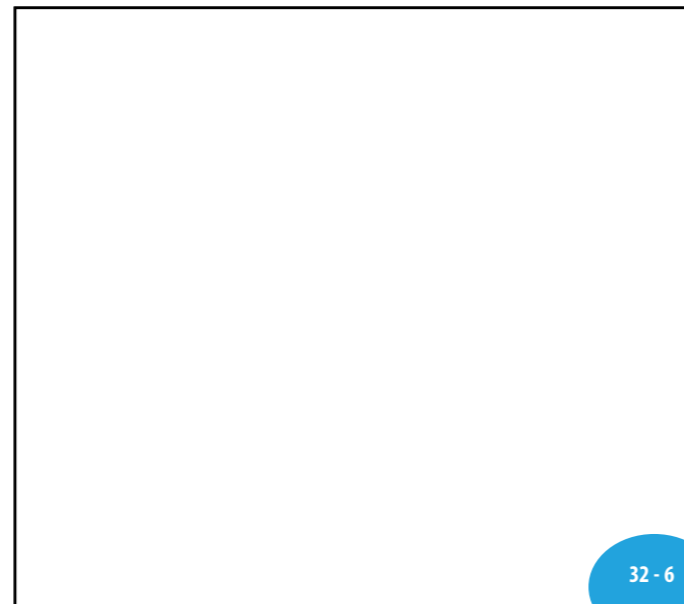
32 - 4

UN970042-ED



32 - 5

SL000137-GX



32 - 6

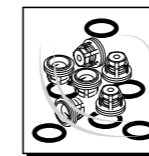
Pos. 序号	Cod. 编号	Description	描述	Q.ty 数量	Note 备注
6	480440	O-Ring	ø 17,13x2,62	7	▶
12	800540	Plug	插头	1	
13	800530	Hose	ø 10	1	
14	800520	Ring nut	3/8" G	2	
15	800680	Ring nut	M 22x1,5	1	
16	800670	Hose	ø 15	1	
17	740290	O-Ring	ø 14x1,78	1	▶
20	880840	O-Ring	ø 9,25x1,78	5	▶
21	180030	Bolt	M 8x20	2	C 20
22	1200230	Upper air chamber	升压气室	2	
23	1200190	Semi air chamber	半气室	1	
25	800340	Hose	ø 20	1	
26	550450	Ring nut	3/4" G	1	
27	390180	O-Ring	ø 18,72x2,72	1	▶
28	1200220	Manifold spigot	歧管塞子	3	
29	1200013	Pump body	泵体	1	
30	1200110	Sleeve	套筒	2	1450 r.p.m.
30	1200111	Sleeve	套筒	2	1750 r.p.m.
31	1200080	Diaphragm	隔膜	2	Gomma
31	1200085	Diaphragm	隔膜	2	Desmopan
32	1200300	Plate	弹簧片	2	
33	1200090	Diaphragm pin	隔膜插针	2	
34	800400	Valve body	阀体	1	
35	550331	Washer	ø 6,5	2	
36	800410	Bolt	M 6x40	2	C 10
37	800430	Valve	阀	1	
38	800490	Pivot	枢轴	1	
39	394280	O-Ring	ø 12,42x1,78	4	▶
40	1200100	Head	泵头	2	
41	800410	Bolt	M 6x40	8	C 10
42	1200310	Roller bushing	滚轮套管	1	
43	1200160	Spacer	隔离片	1	
44	1200130	Piston pin	柱塞插针	2	
45	1200120	Piston	柱塞	2	
46	1200140	Connecting rod	连杆	2	
47	1200170	"SP" shaft	轴	1	1450 r.p.m. (A)
47	1200171	"SP" shaft	轴	1	1750 r.p.m. (B)
48	1200450	Key	键	1	
49	1200180	Roller bushing	滚轮套管	1	
50	1200150	Disc	阀瓣	1	
51	1200200	Seal ring	密封环	1	
53	1200280	Air valve	空气阀	1	
54	800560	O-Ring	ø 8,73x1,78	2	▶
56	800500	Ring nut	环形螺母	1	
57	800510	Knob	旋钮	1	
58	390330	Pin	插针	1	
59	1200860	45° Elbow	ø 13	1	
60	800480	Atm scale adhesive	气压测量粘合剂	1	

Pos. 序号	Cod. 编号	Description	描述	Q.ty 数量	Note 备注
61	800440	Lower spring guide	降压弹簧套	1	
62	800452	Spring	弹簧	1	10 bar
62	800450	Spring	弹簧	1	20 bar
63	800460	Upper spring guide	升压弹簧套	1	
64	800470	Adjustment knob	调节旋钮	1	
65	480550	Circlip	卡簧	1	
66	1998	Regulating valve	调节阀	1	10 bar
66	1912	Regulating valve	调节阀	1	20 bar
91	1209050	Complete valve	单向阀	4	
92	801060	Adapter	3/8"-1/4" G (F)	1	Optional
93	801050	Pressure gauge	压力测量仪	1	Optional 0-30 bar
94	1200850	Adapter	接头	1	▶
100	1200890	O-Ring	ø 2,57x1,78	1	▶
102	800390	Handle	手柄	1	
105	800692	Flange	1/2" G	1	
106	880280	Bolt	M 6x18	2	C 10
110	320360	Bolt	M 8x22	2	C 20
112	600180	O-Ring	ø 7,66x1,78	1	▶

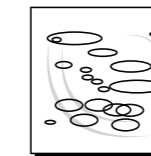
Medium Pressure  
中压



KIT 1983	
Buna diaphragms 丁纳橡胶隔膜	
Pos. 序号	Q.ty 数量
31	2



KIT 1992	
Valves 单向阀	
Pos. 序号	Q.ty 数量
39	4
91	4



KIT 2465	
O-Rings O型圈	
Pos. 序号	Q.ty 数量
6	7
17	1
20	6
27	1
39	4
54	2
112	1

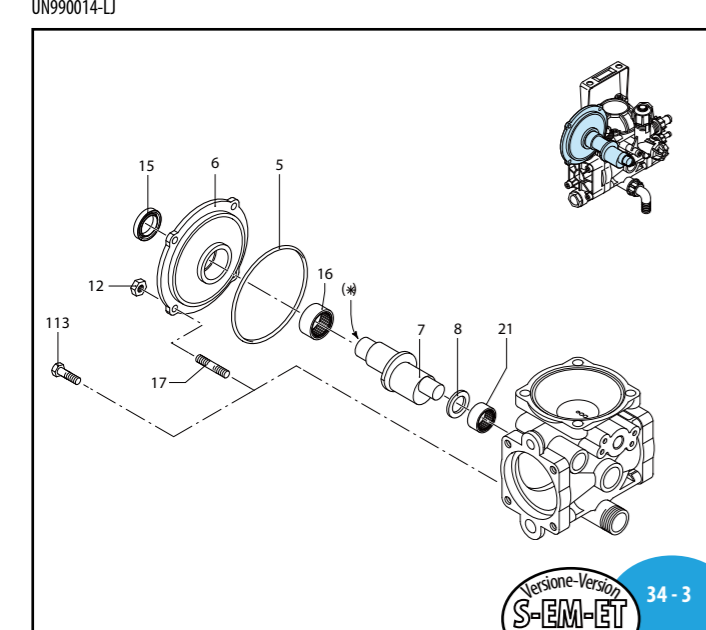
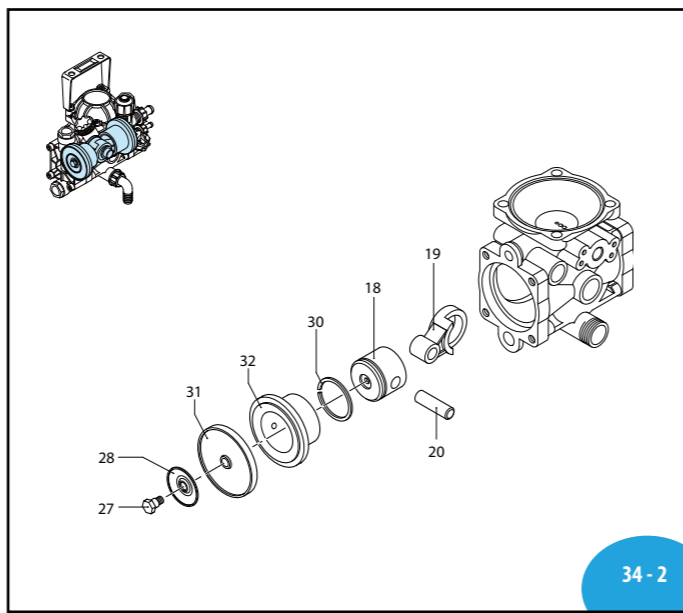
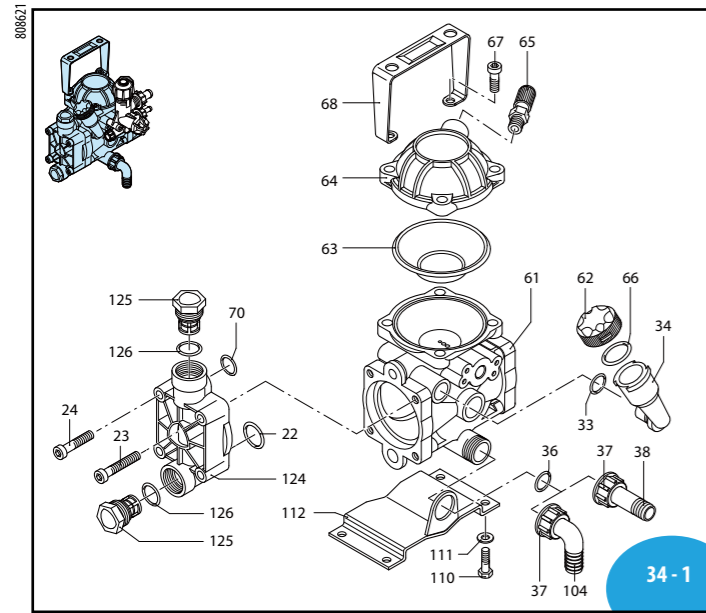


KIT 2466					
Maintenance repair 维修工具					
Pos. 序号	Q.ty 数量	Pos. 序号	Q.ty 数量	Pos. 序号	Q.ty 数量
6	7				
17	1				
20	6				
23	1				
27	1				
31	2				
32	2				
33	2				
39	4				
91	4				

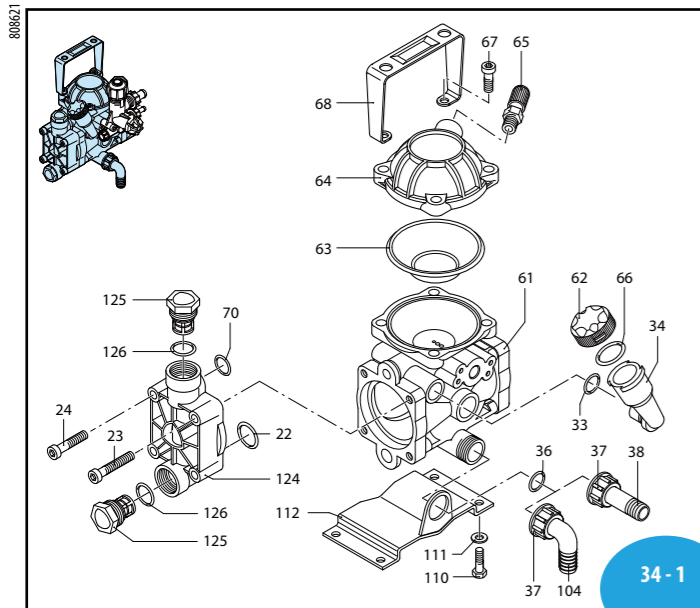


Used oil 使用机油	
Type / 类型	Kg
SAE 30	0,074

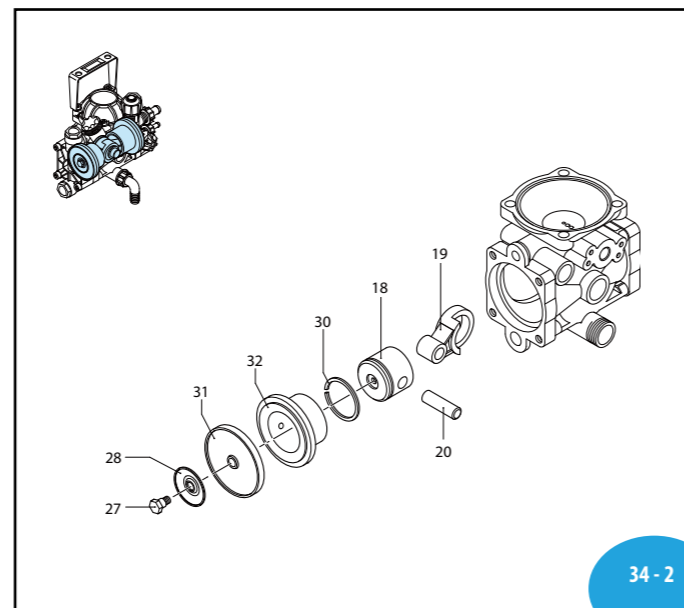




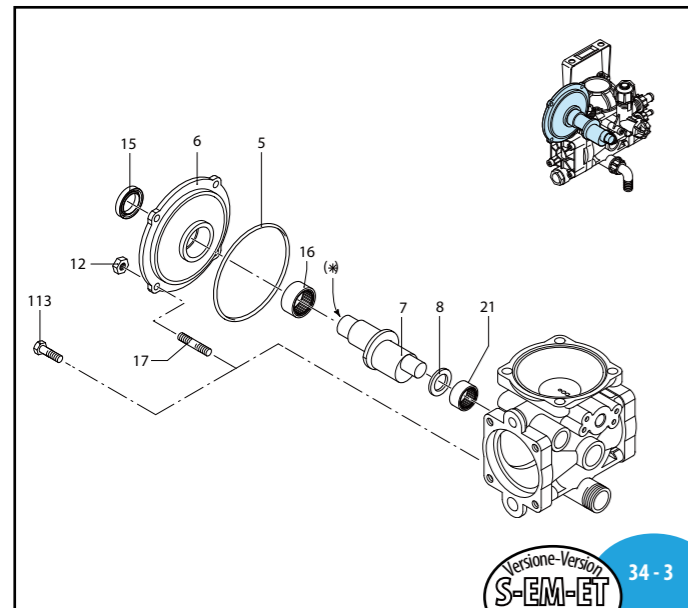




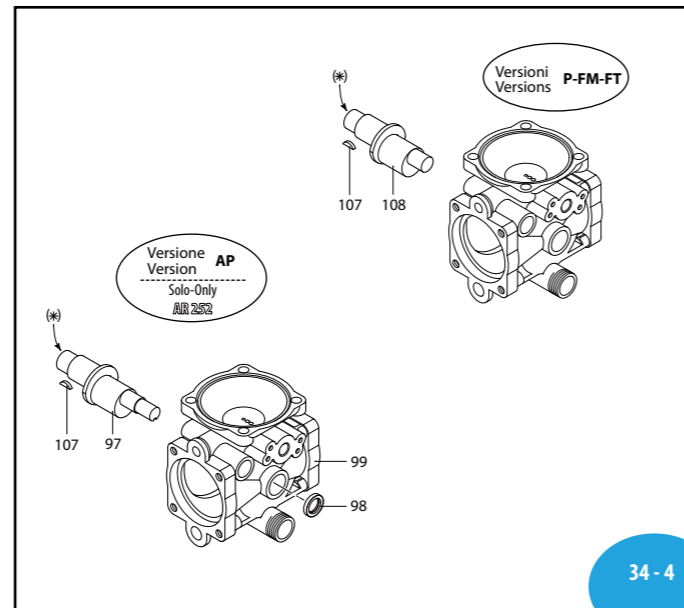
UN990014-LJ



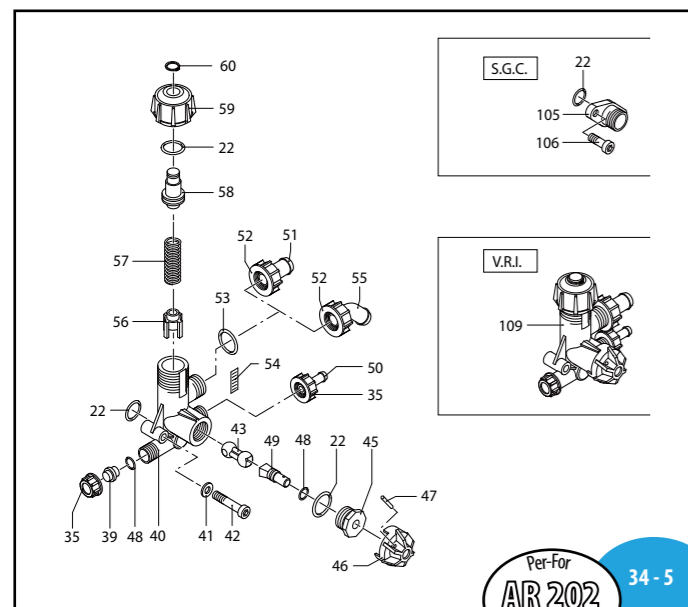
UN000663-CD



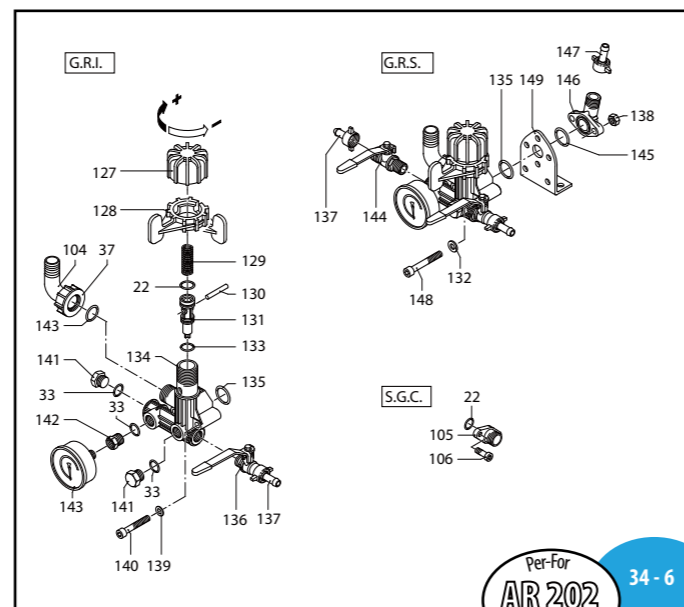
UN990016-LE



SL000110-FY



SL000138-GX



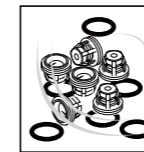
UN990019-LJ

Pos.	Cod.	Descrizione	Description	Q.ty	Note
5	800380	OR ø 97x1,6	O-Ring	1	
6	800020	Flangia supp. albero	Flange	1	
7	800174	Albero ecc."S-EM-ET"	"S-EM-ET" shaft	1	AR 202 (G)
	800170	Albero ecc."S-EM-ET"	"S-EM-ET" shaft	1	AR 252 (C)
8	800160	Distanziale	Spacer	1	
12	390440	Dado M 6	Nut	4	
15	800200	Anello tenuta	Seal	1	
16	800180	Boccola a rullini	Roller bushing	1	
17	550330	Prigioniero M 6x34	Piston	4	
18	802070	Pistone	Piston	2	C 20
19	800140	Biella	Connecting rod	2	
20	800130	Spinotto	Piston pin	2	
21	480370	Boccola a rullini	Roller bushing	1	
22	480440	OR ø 17,13x2,62	O-Ring	5	▶ C 20
23	680360	Vite TCEI M 8x50	Bolt	1	▶ C 20
24	800220	Vite TCEI M 8x45	Bolt	7	C 20
27	800090	Perno membrana	Diaphragm pin	2	○ Per / For Viton C 20
28	800091	Perno membrana	Diaphragm pin	2	
28	800350	Piattello	Plate	2	
30	802080	Segmento	Piston ring	2	
	800080	Membrana	Diaphragm	2	Gomma
	800081	Membrana	Diaphragm	2	Viton
	800085	Membrana	Diaphragm	2	Desmopan
	800086	Membrana	Diaphragm	2	H.P.D.S.
	802060	Camicia	Sleeve	2	AR 202
	802061	Camicia	Sleeve	2	AR 202 (Viton)
	802050	Camicia	Sleeve	2	AR 252
	802051	Camicia	Sleeve	2	AR 252 (Viton)
33	740290	OR ø 14x1,78	O-Ring	4	▶
34	801960	Serbatoio olio	Oil tank	1	
35	800520	Girello 3/8" G	Ring nut	2	
36	390180	OR ø 18,72x2,62	O-Ring	1	▶
37	550450	Girello 3/4" G	Ring nut	2	
38	800340	Portagomma ø 20	Hose	1	
39	800540	Tappo	Plug	1	
40	800400	Corpo valvola reg.	Valve body	1	
41	550331	Rosetta øi 6,5	Washer	2	
42	800410	Vite TCEI M 6x40	Bolt	2	
43	800430	Valvola	Valve	1	
45	800500	Ghiera	Ring nut	1	
46	800510	Manopola apertura	Knob	1	
47	390330	Spina elast.spir.	Pin	1	
48	800560	OR ø 8,73x1,78	O-Ring	2	
49	800490	Perno ruotismo	Pivot	1	
50	800530	Tubetto ø 8	Hose	1	
51	800670	Tubetto ø 15	Hose	1	
52	800680	Girello M 22x1,5	Ring nut	1	
53	740290	OR ø 14x1,78	O-Ring	1	
54	800480	Adesivo scala atm	Atm scale adhesive	1	
55	1200860	Curva 45° ø 13	45° Elbow	1	
56	800440	Guida inferiore molla	Lower spring guide	1	
57	800450	Molla	Spring	1	
58	800460	Guida superiore molla	Upper spring guide	1	
59	800470	Manopola regolazione	Adjustment knob	1	

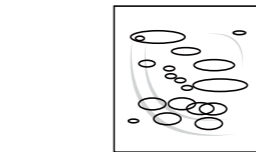
Pos.	Cod.	Descrizione	Description	Q.ty	Note
60	480550	Anello seeger	Circlip	1	
61	800010	Corpo pompa "SP"	Pump body "SP"	1	
62	550057	Tappo serbatoio olio	Oil tank cap	1	
63	800190	Semicamera aria inf.	Semi air chamber	1	Gomma
	800191	Semicamera aria inf.	Semi air chamber	1	Viton
64	800230	Semisfera superiore	Upper air chamber	1	Nera / Black
	800232	Semisfera superiore	Upper air chamber	1	Rossa / Red
65	800650	Valvola di gonfiaggio	Valve	1	
66	550040	OR ø 26,65x2,62	O-Ring	1	▶
67	540290	Vite TCEI M 8x25	Bolt	4	C 23
68	800390	Maniglia	Handle	1	
70	800210	OR ø 13,10x2,62	O-Ring	2	▶
97	800173	Albero ecc. passante	Through-shaft	1	AR 252 (F)
98	800960	Anello tenuta	Seal ring	1	
99	800011	Corpo pompa "AP/SP"	Pump body "AP/SP"	1	
104	550460	Curva ø 18	Elbow	2	
105	800692	Flangia mand. 1/2" G	Flange	1	
106	880280	Vite TCEI M 6x18	Bolt	2	
107	800590	Linguetta 4x5	Key	1	
108	800175	Albero ecc. "P-FM-T"	"P-FM-T" shaft	1	AR 202 (H)
	800171	Albero ecc. "P-FM-T"	"P-FM-T" shaft	1	AR 252 (D)
109	1912	Valvola regolazione	Regulating valve	1	
110	180431	Vite TE M 8x16	Bolt	2	C 23
111	380241	Rosetta øi 8,5	Washer	2	
112	800311	Piede puleggia	Pulley base	1	
113	320350	Vite TE M 6x12	Bolt	4	C 10
124	801940	Testa	Head	2	
125	809060	Valvola completa	Valve assembly	4	
126	880830	OR ø 15,54x2,62	O-Ring	4	
127	1880220	Manopola	Adjustment knob	1	
128	1880210	Ghiera sgancio press.	Ring nut	1	
129	1880331	Molla	Spring	1	
130	1880240	Spinotto	Pin	1	
131	1889201	Otturatore	Jet	1	
132	390311	Rosetta 8,5x17x1,5	Washer	2	
133	1880260	OR ø 15,08x2,62	O-Ring	1	
134	1880200	Corpo valvola	Valve body	1	
135	1140450	OR ø 20,24x2,62	O-Ring	1	
136	130491	Rub. 3/8" -1/2" G (M) DX	Right valve	1	ex 30491
137	110131	Racc.1/2" G+ tub. ø10	Fitting 1/2" G+hose ø10	2	ex 10131
138	390270	Dado M 8	Nut	2	
139	550331	Rosetta 6,5	Washer	2	
140	801080	Vite TCEI M 6x50	Bolt	2	
141	130171	Tappo 3/8" G	Plug	1	
142	1880250	Riduzione manometro	Pipe reducer	1	
143	1880340	Manometro	Pressure gauge	1	
144	130492	Rub. 3/8" -1/2" G (M) SX	Left valve	1	ex 30492
145	550350	OR ø 23,81x2,62	O-Ring	1	
146	450145	Flangia raccordo	Flange	1	
147	110130	Racc.1/2" G+ tub. ø13	Fitting 1/2" G+hose ø13	1	ex 10130
148	1880310	Vite TCEI M 8x65	Bolt	2	
149	320406	Staffa GS	Bracket	1	
150	880830	OR ø 15,54x2,62	O-Ring	1	▶



KIT 1927	
Membrane gomma Buna diaphragms	
Pos.	Q.ty
31	2



KIT 2408	
Valvole Valves	
Pos.	Q.ty
125	4
126	4



KIT 2409			
OR O-Rings			
Pos.	Q.ty	Pos.	Q.ty
5	1	135	1
22	5	145	1
33	4		
36	1		
48	2		
53	1		
66	1		
70	2		
126	4		
133	1		



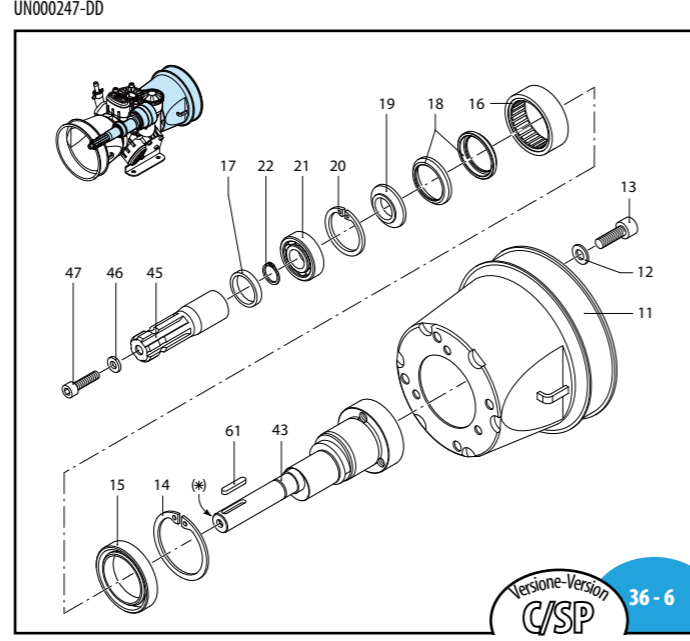
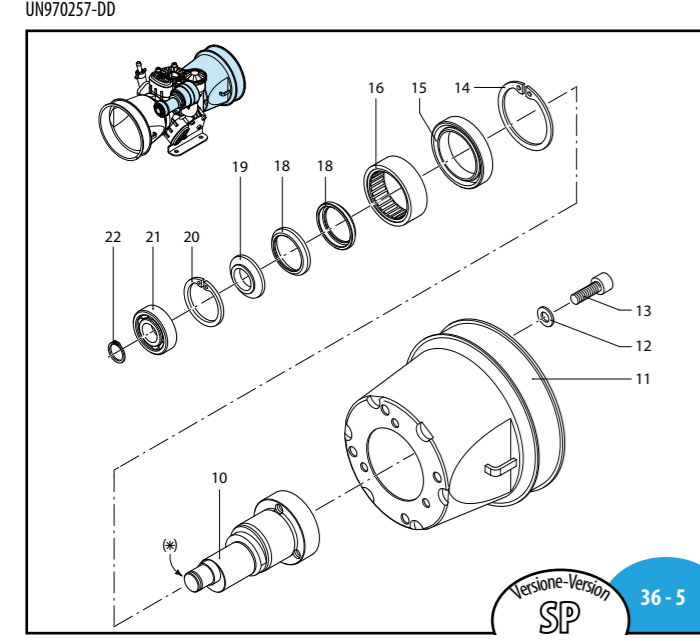
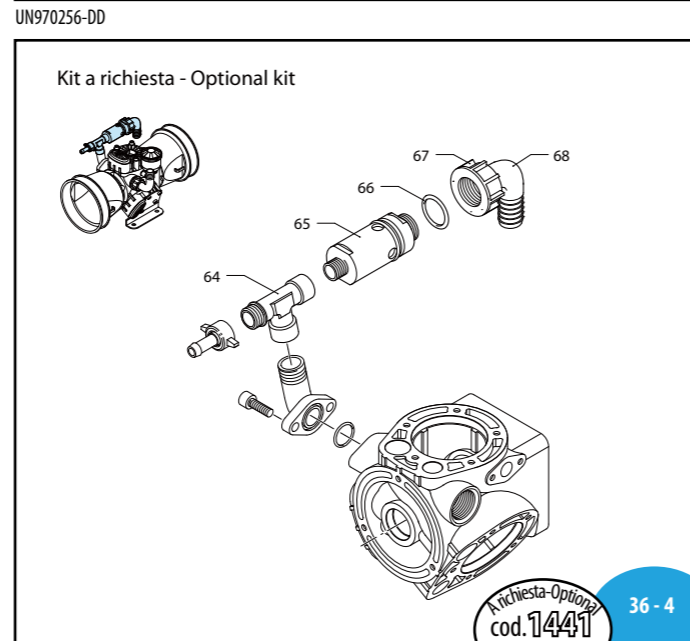
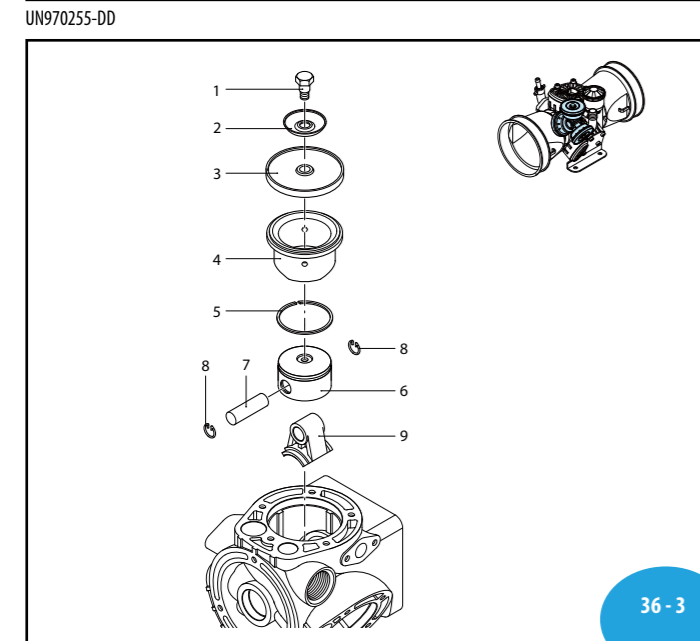
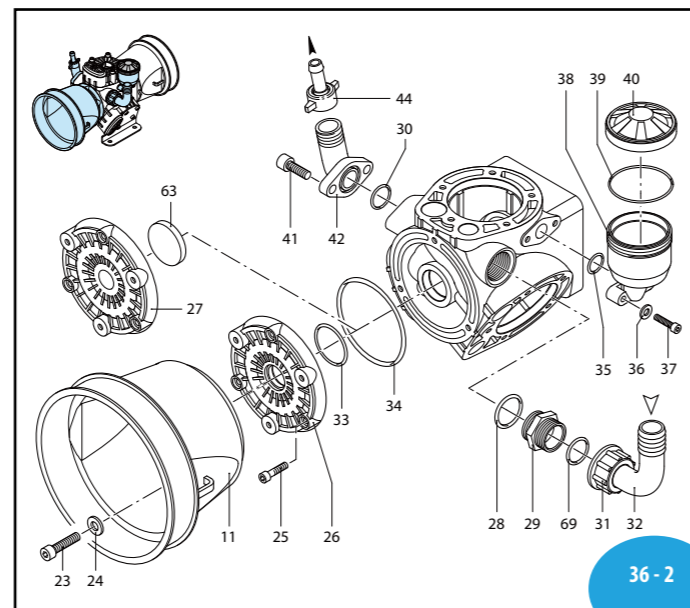
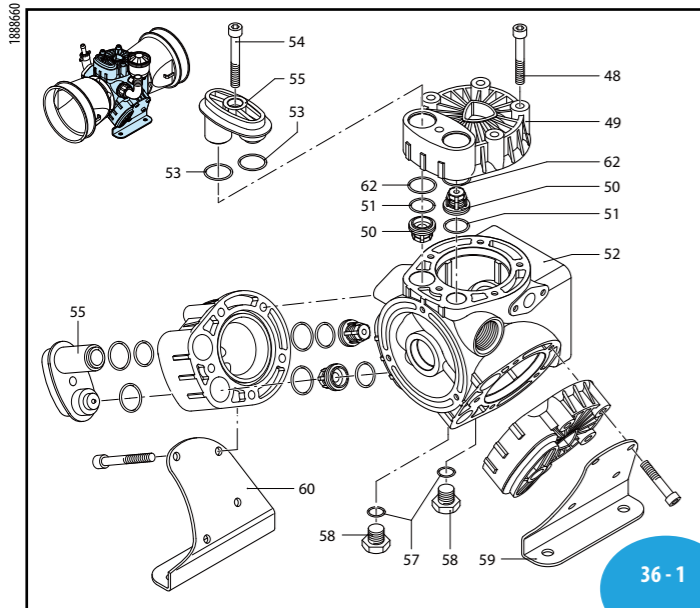
KIT 2410			
Pronto intervento VRI Maintenance repair			
Pos.	Q.ty	Pos.	Q.ty
5	1	62	1
22	5	63	1
27	1	70	2
28	1	125	4
31	2	126	4
33	1		
34	1		
36	1		
48	2		
53	1		



KIT 1910	
Pronto intervento VRI Maintenance repair	
Pos.	Q.ty
5	1
22	5
33	4
36	1
48	2
53	1
70	2
126	4
133	1
135	1
145	1



Olio utilizzato Used oil		
Tip	Type	Kg
SAE 30		0,34



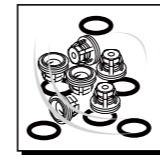
Pos. 序号	Cod. 编号	Description	描述	Q.ty 数量	Note 备注
1	800090	Diaphragm pin	隔膜插针	3	○ C <sub>20</sub>
	800091	Diaphragm pin	隔膜插针	3	Viton ○ C <sub>20</sub>
2	800350	Plate	弹簧片	3	
	800080	Diaphragm	隔膜	3	Gomma
	800081	Diaphragm	隔膜	3	Viton
	800085	Diaphragm	隔膜	3	Desmopan
	800086	Diaphragm	隔膜	3	H.P.D.S.
	1880440	Sleeve	套筒	3	AR 403 Viton
	1880441	Sleeve	套筒	3	AR 303 Viton
	1880050	Sleeve	套筒	3	AR 403
	1880051	Sleeve	套筒	3	AR 303
5	1880110	Piston ring	柱塞环	3	
6	1880060	Piston	柱塞	3	
7	1880120	Piston pin	柱塞插针	3	
8	380080	Pin ring	插针环	6	
9	1880070	Connecting rod	连杆	3	
	1880101	"SP" shaft	轴	1	AR 303 (2)
	1880100	"SP" shaft	轴	1	AR 403 (1)
11	1500350	Cardan protection	万向保护罩	1	
12	900270	Washer	垫圈	4	
13	820670	Bolt	螺栓	4	C <sub>10</sub>
14	620330	Circlip	卡簧	1	
15	620130	Seal ring	密封环	1	▶
16	550060	Roller bushing	滚轮套管	1	
17	1880190	Seal ring	密封环	1	
18	1880180	Con rod ring	连杆环	2	
19	1880170	Spacer	隔离片	1	
20	111120	Circlip	卡簧	1	
21	1461430	Bearing	轴承	1	
22	620291	Circlip	卡簧	1	
23	850250	Bolt	螺栓	3	C <sub>10</sub>
24	380241	Washer	垫圈	3	
25	780060	Bolt	螺栓	3	C <sub>10</sub>
26	1880021	"AP" suction manifold	"AP" 抽吸歧管	1	
27	1880020	"C/SP" suction manifold	"C/SP" 抽吸歧管	1	
28	390290	O-Ring	O型圈	1	▶
29	550340	Threaded adapter	螺口连接器	1	
30	550350	O-Ring	O型圈	1	☒
31	550242	Ring nut	环形螺母	1	
32	550370	Elbow	弯管	1	
33	390201	O-Ring	O型圈	1	Per / For C/SP vers.▶
34	1880130	O-Ring	O型圈	1	
35	390180	O-Ring	O型圈	1	
36	550331	Washer	垫圈	2	
37	1200440	Bolt	螺栓	2	C <sub>10</sub>
38	1040310	Oil tank	机油箱	1	
39	650920	O-Ring	O型圈	1	▶
40	1040322	Black oil tank cap	黑色机油箱盖	1	AR 303

Pos. 序号	Cod. 编号	Description	描述	Q.ty 数量	Note 备注
40	1040320	Red oil tank cap	红色机油箱盖	1	AR 403
41	540290	Bolt	螺栓	2	C <sub>20</sub>
42	450145	Flange	法兰	1	
43	1880160	"C/SP" shaft	轴	1	AR 403 (4)
44	110130	Fitting 1/2" G+hose ø13	接头	1	ex 10130
45	621370	Universal joint	通用关节	1	
46	961340	Washer	垫圈	1	
47	680350	Bolt	螺栓	1	C <sub>20</sub>
48	800860	Bolt	螺栓	12	C <sub>20</sub>
49	1880030	Head	泵体	3	
50	1889051	Complete valve	单向阀	6	
51	1140450	O-Ring	O型圈	6	▶
52	1880010	Pump body	泵体	1	
53	1260420	O-Ring	O型圈	6	▶
54	280080	Bolt	螺栓	3	C <sub>20</sub>
55	1880040	Valve cover	阀盖	3	
57	740290	O-Ring	O型圈	2	▶
58	880530	Plug	插头	2	C <sub>20</sub>
59	1880080	Right base	右侧底座	1	
60	1880090	Left base	左侧底座	1	
61	620680	Key	键	1	
62	780050	O-Ring	O型圈	6	▶
63	1880380	Cover	盖子	1	Per / For SP version
64	1620450	Fitting	接头	1	Optional
65	1609001	Safety valve	安全阀	1	Optional
66	880831	O-Ring	O型圈	1	Viton / Optional ▶
67	550450	Ring nut	环形螺母	1	Optional
68	550460	Elbow	弯管	1	Optional
69	550350	O-Ring	O型圈	1	▶

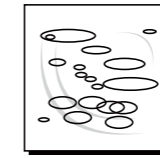
Medium Pressure  
中压



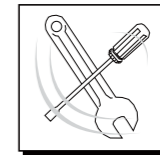
KIT 2387	
Buna diaphragms 丁纳橡胶隔膜	
Pos. 序号	Q.ty 数量
3	
3	



KIT 2388	
Valves 单向阀	
Pos. 序号	Q.ty 数量
50	6
51	6



KIT 2389	
O-Rings O型圈	
Pos. 序号	Q.ty 数量
28	1
30	2
33	1
34	1
35	1
39	1
51	9
53	6
57	2
62	6

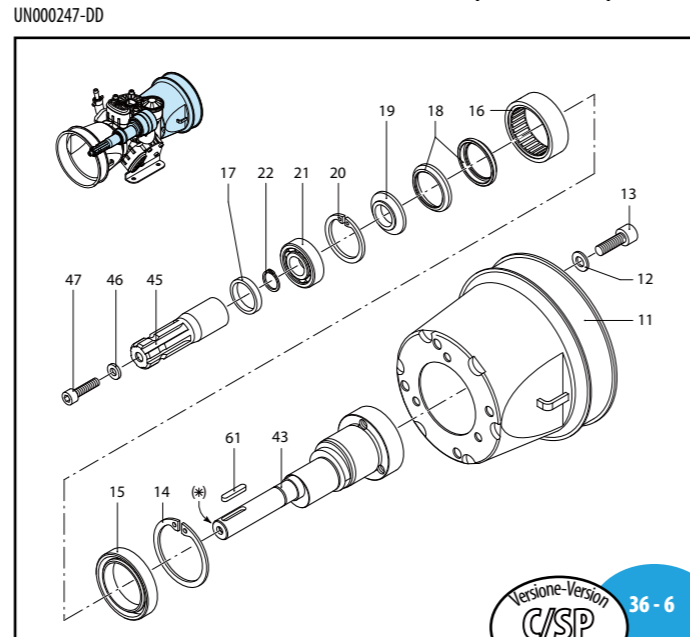
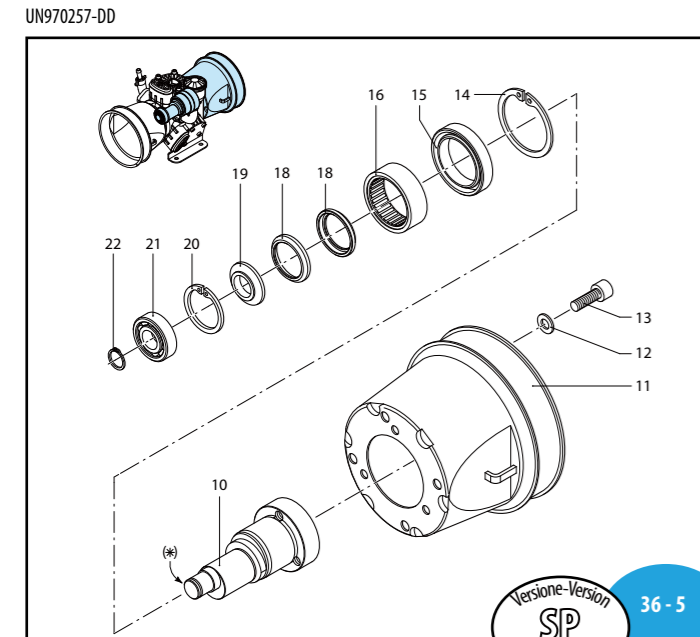
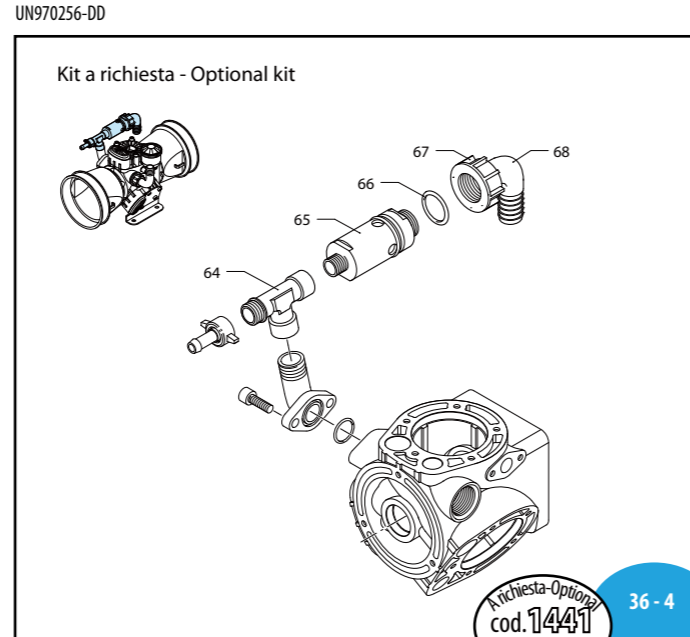
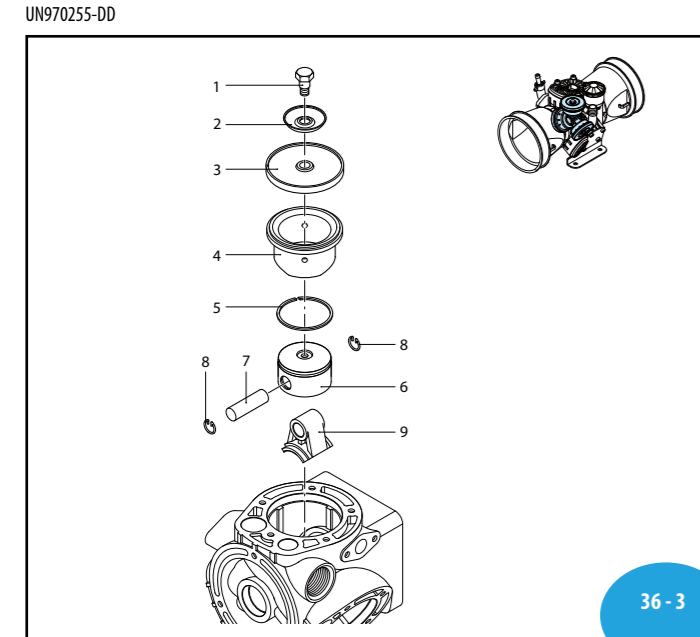
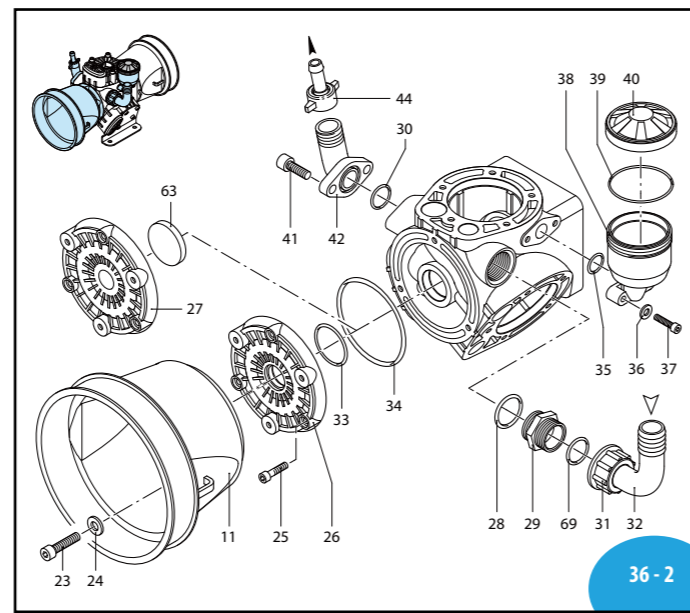
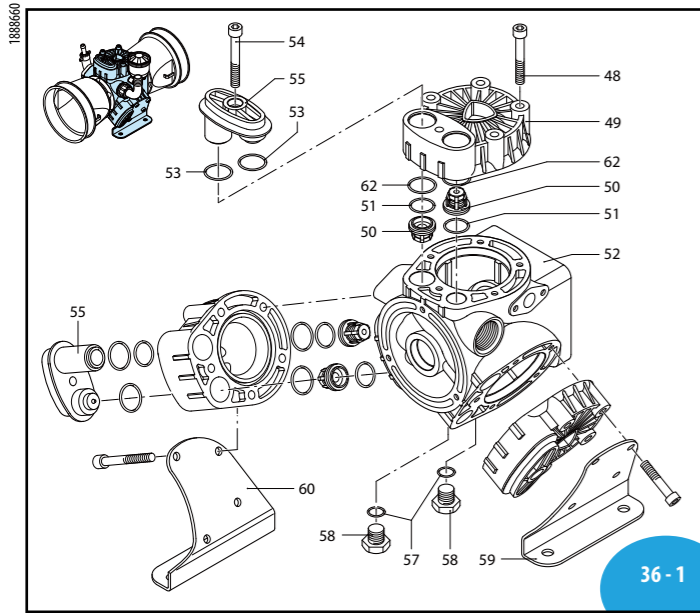


KIT 2390					
Maintenance repair 维修工具					
Pos. 序号	Q.ty 数量	Pos. 序号	Q.ty 数量	Pos. 序号	Q.ty 数量
1	3	35	1	62	6
3	3	38	1		
15	1	39	1		
17	1	40	1		
28	1	50	6		
30	2	51	9		
31	1	53	6		
32	1	55	2		
33	1	56	1		
34	1	57	2		



Used oil 使用机油	
Type / 类型	Kg
SAE 30	0,4





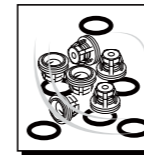
Pos.	Cod.	Descrizione	Description	Q.ty	Note
1	800090	Perno membrana	Diaphragm pin	3	○ C <sub>20</sub>
	800091	Perno membrana	Diaphragm pin	3	Viton ○ C <sub>20</sub>
2	800350	Piattello	Plate	3	
	800080	Membrana	Diaphragm	3	Gomma
	800081	Membrana	Diaphragm	3	Viton
	800085	Membrana	Diaphragm	3	Desmopan
	800086	Membrana	Diaphragm	3	H.P.D.S.
	1880440	Camicia	Sleeve	3	AR 403 Viton
	1880441	Camicia	Sleeve	3	AR 303 Viton
	1880050	Camicia	Sleeve	3	AR 403
	1880051	Camicia	Sleeve	3	AR 303
5	1880110	Segmento	Piston ring	3	
6	1880060	Pistone	Piston	3	
7	1880120	Spinotto	Piston pin	3	
8	380080	Anellino spinotto	Pin ring	6	
9	1880070	Biella	Connecting rod	3	
10	1880101	Albero eccentrico "SP"	"SP" shaft	1	AR 303 (2)
	1880100	Albero eccentrico "SP"	"SP" shaft	1	AR 403 (1)
11	1500350	Protezione cardano	Cardan protection	1	
12	900270	Rosetta ø 10,5	Washer	4	
13	820670	Vite TCEI M 10x16	Bolt	4	C <sub>10</sub>
14	620330	Anello seeger	Circlip	1	
15	620130	Anello tenuta	Seal ring	1	▶
16	550060	Boccola a rullini	Roller bushing	1	
17	1880190	Anello tenuta	Seal ring	1	
18	1880180	Anello biella	Con rod ring	2	
19	1880170	Distanziale cuscinetto	Spacer	1	
20	111120	Anello seeger	Circlip	1	
21	1461430	Cuscinetto	Bearing	1	
22	620291	Anello seeger	Circlip	1	
23	850250	Vite TCEI M 8x12	Bolt	3	C <sub>10</sub>
24	380241	Rosetta ø 8,5	Washer	3	
25	780060	Vite TCEI M 6x25	Bolt	3	C <sub>10</sub>
26	1880021	Condotto aspiraz. "AP"	"AP" suction manifold	1	
27	1880020	Condotto aspiraz. "C/SP"	"C/SP" suction manifold	1	
28	390290	OR ø 29x3	O-Ring	1	▶
29	550340	Nipples 1"G(M)-1"G(M)	Threaded adapter	1	
30	550350	OR ø 23,81x2,62	O-Ring	1	☒
31	550242	Girello 1"G	Ring nut	1	
32	550370	Curva ø 25	Elbow	1	
33	390201	OR ø 39,34x2,62	O-Ring	1	Per / For C/SP vers.▶
34	1880130	OR ø 88,57x2,62	O-Ring	1	
35	390180	OR ø 18,72x2,72	O-Ring	1	
36	550331	Rosetta ø 6,5	Washer	2	
37	1200440	Vite TCEI M 6x35	Bolt	2	C <sub>10</sub>
38	1040310	Serbatoio olio	Oil tank	1	
39	650920	OR ø 26,65x2,62	O-Ring	1	▶
40	1040322	Tappo serbatoio nero	Black oil tank cap	1	AR 303

Pos.	Cod.	Descrizione	Description	Q.ty	Note
40	1040320	Tappo serbatoio rosso	Red oil tank cap	1	AR 403
41	540290	Vite TCEI M 8x25	Bolt	2	C <sub>20</sub>
42	450145	Flangia raccordo	Flange	1	
43	1880160	Albero eccentrico "C/SP"	"C/SP" shaft	1	AR 403 (4)
44	110130	Racc. 1/2"G+ tub. ø13	Fitting 1/2"G+hose ø13	1	ex 10130
45	621370	Giunto	Universal joint	1	
46	961340	Rosetta ø 8,5	Washer	1	
47	680350	Vite TCEI M 8x35	Bolt	1	C <sub>20</sub>
48	800860	Vite TCEI M 8x55	Bolt	12	C <sub>20</sub>
49	1880030	Testa	Head	3	
50	1889051	Valvola completa	Complete valve	6	
51	1140450	OR ø 20,24x2,62	O-Ring	6	▶
52	1880010	Corpo pompa	Pump body	1	
53	1260420	OR ø 26,7x1,78	O-Ring	6	▶
54	280080	Vite TCEI M 8x60	Bolt	3	C <sub>20</sub>
55	1880040	Coperchio valvole	Valve cover	3	
57	740290	OR ø 14x1,78	O-Ring	2	▶
58	880530	Tappo 3/8"G	Plug	2	C <sub>20</sub>
59	1880080	Piede DX	Right base	1	
60	1880090	Piede SX	Left base	1	
61	620680	Linguetta	Key	1	
62	780050	OR ø 28,25x1,78	O-Ring	6	▶
63	1880380	Cappello	Cover	1	Per / For SP version
64	1620450	Raccordo a T (M-F-F)	Fitting	1	Optional
65	1609001	Valvola di sicurezza	Safety valve	1	Optional ■
66	880831	OR ø 15,54x2,62	O-Ring	1	Viton / Optional ▶
67	550450	Girello 3/4"G	Ring nut	1	Optional
68	550460	Curva ø 18	Elbow	1	Optional
69	550350	OR ø 23,81x2,62	O-Ring	1	▶



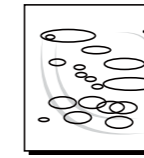
**KIT 2387**  
Membrane gomma  
Buna diaphragms

Pos.	Q.ty
3	
3	



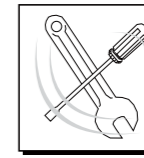
**KIT 2388**  
Valvole  
Valves

Pos.	Q.ty
50	6
51	6



**KIT 2389**  
OR  
O-Rings

Pos.	Q.ty
28	1
30	2
33	1
34	1
35	1
39	1
51	9
53	6
57	2
62	6



**KIT 2390**  
Pronto intervento  
Maintenance repair

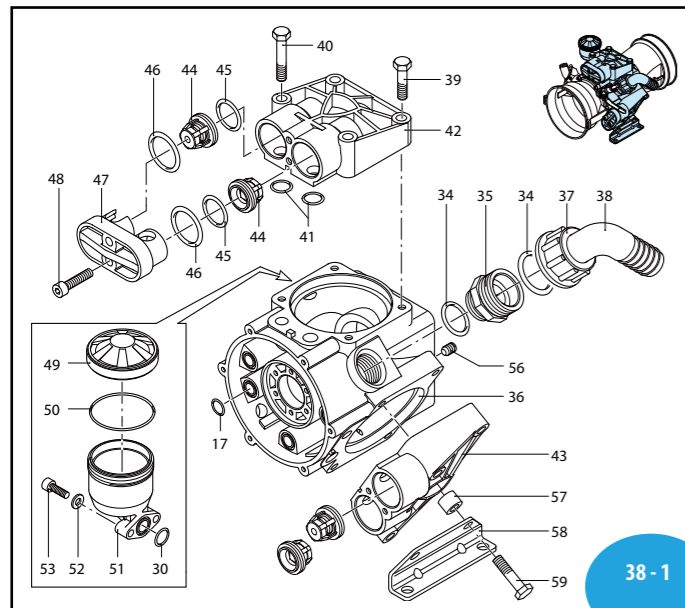
Pos.	Q.ty	Pos.	Q.ty	Pos.	Q.ty
1	3	35	1	62	6
3	3	38	1		
15	1	39	1		
17	1	40	1		
28	1	50	6		
30	2	51	9		
31	1	53	6		
32	1	55	2		
33	1	56	1		
34	1	57	2		



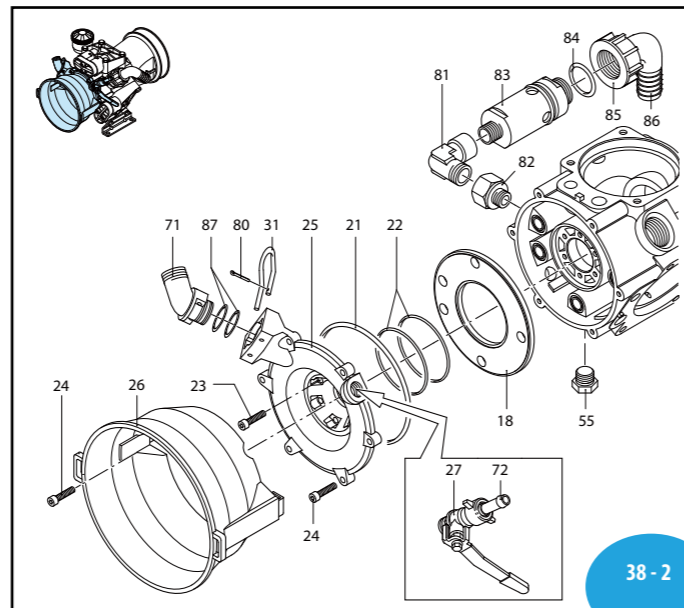
**Olio utilizzato**  
Used oil

Tip	Type	Kg
SAE 30		0,4

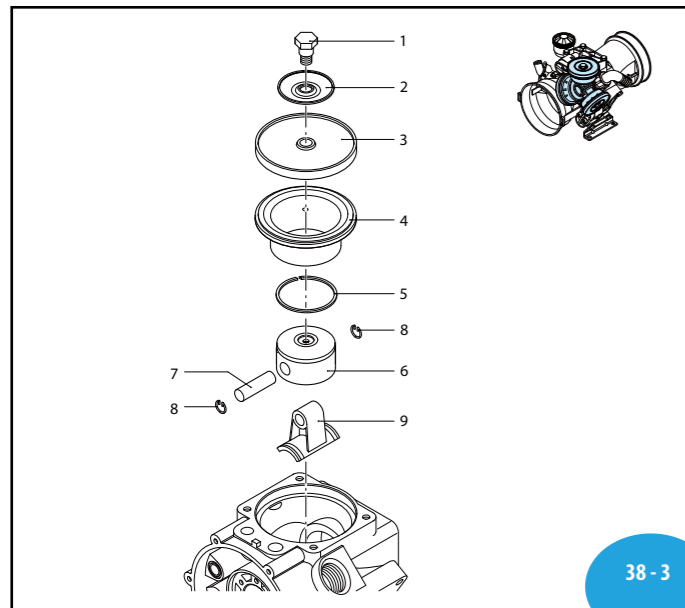
Media Pressione  
Medium Pressure



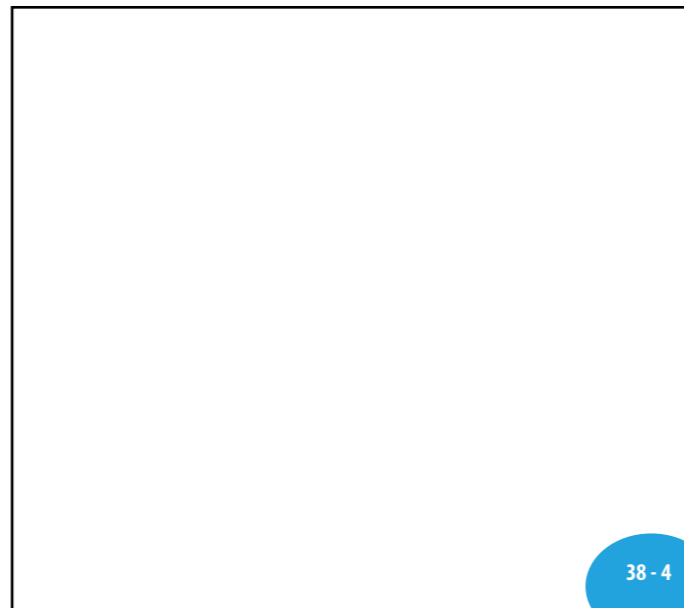
UN970058-DD



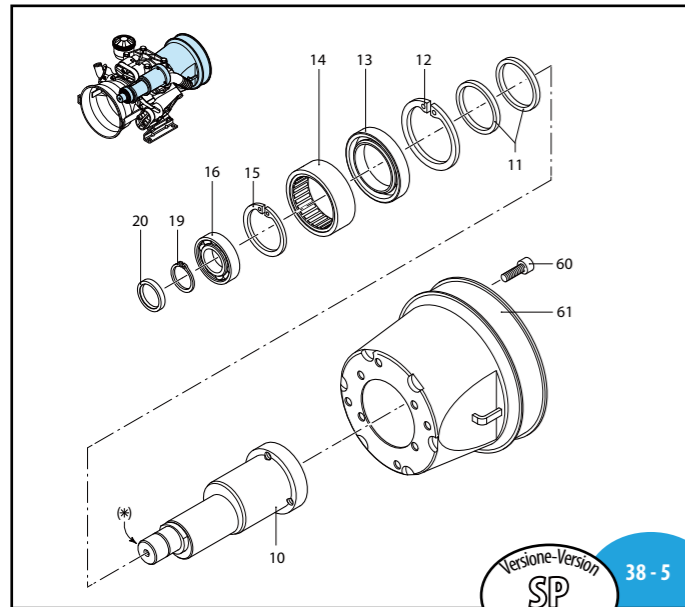
UN970059-LJ



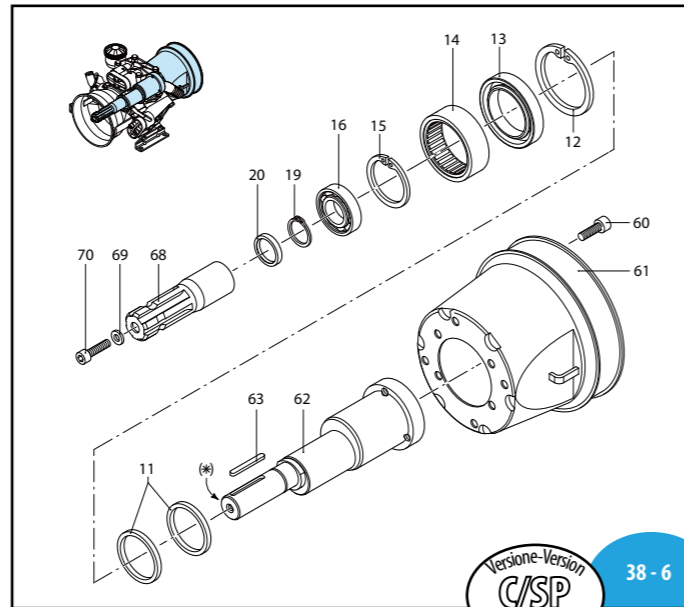
UN970062-LJ



UN970061-LJ



UN970060-LE



UN970061-LE

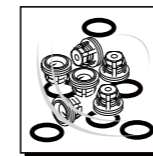
Pos. 序号	Cod. 编号	Description	描述	Q.ty 数量	Note 备注
1	580360	Diaphragm pin	隔膜	3	○ C 30
2	1040180	Plate	金属片	3	
3	620080	Diaphragm	隔膜	3	Gomma
4	620081	Diaphragm	隔膜	3	Viton
5	620085	Diaphragm	隔膜	3	Desmopan
6	1300110	Sleeve	套筒	3	
7	160230	Piston ring	柱塞环	3	
8	620120	Piston	柱塞	3	
9	380300	Piston pin	柱塞插销	3	
10	380080	Pin ring	插销环	6	
11	1300140	Connecting rod	连杆	3	
12	1300170	"SP" shaft	轴	1	(Z)
13	1300120	Con rod ring	连杆环	2	
14	1300240	Circlip	卡簧	1	
15	1300220	Seal ring	密封环	1	▶
16	1300210	Roller bearing	滚柱轴承	1	
17	1260790	Circlip	卡簧	1	
18	180400	Bearing	轴承	1	
19	740291	O-Ring	○型圈	5	Viton ▶
20	1300020	Manifold plate	歧管弹簧片	1	
21	1300050	Circlip	卡簧	1	
22	1300230	Seal ring	密封环	1	▶
23	1300270	O-Ring	○型圈	1	
24	640030	O-Ring	○型圈	2	
25	880280	Bolt	螺栓	6	M6x18 C 10
26	1040370	Bolt	螺栓	6	M6x22 C 10
27	1300030	Manifold	歧管	1	
28	1500130	Cardan protection	万向保护罩	1	
29	130491	Right valve	右侧阀	1	ex 30491
30	390180	O-Ring	○型圈	1	▶
31	1040690	Fork	叉	1	
32	390290	O-Ring	○型圈	2	▶
33	450120	Threaded adapter	螺口连接器	1	
34	1300010	Pump body	泵体	1	
35	580060	Ring nut	环形螺母	1	
36	580040	Elbow	弯管	1	
37	200230	Bolt	螺栓	4	M10x45 C 45
38	640230	Bolt	螺栓	4	M10x60 C 45
39	480441	O-Ring	○型圈	6	Viton ▶
40	1300101	Right head	右泵头	2	
41	1300102	Left head	左泵头	1	
42	1409050	Complete valve	单向阀	6	
43	620030	O-Ring	○型圈	6	▶
44	620031	O-Ring	○型圈	6	Viton ▶
45	540361	O-Ring	○型圈	6	▶
46	1300190	Valve cap	阀帽	3	
47	620610	Bolt	螺栓	6	M8x30 C 20
48	1040322	Black oil tank cap	黑色机油箱盖	1	

Pos. 序号	Cod. 编号	Description	描述	Q.ty 数量	Note 备注
50	650920	O-Ring	○型圈	1	
51	1040310	Oil tank	机油箱	1	
52	550331	Washer	垫圈	2	
53	850850	Bolt	螺栓	2	M6x30 C 10
54	880530	Plug	插头	1	C 20
55	770070	Dowel	销子	1	C 10
56	1300280	Spacer	隔离片	2	
57	1300090	Base	底座	2	
58	1300360	Bolt	螺栓	4	M10x65 C 45
59	820670	Bolt	螺栓	4	M10x16 C 10
60	1500350	Cardan protection	万向保护罩	1	
61	1300160	Through-shaft	通过轴	1	Per/For "C/SP" (K)
62	650250	Key	键	1	
63	650300	Universal joint	通用关节	1	
64	961340	Washer	垫圈	1	
65	680350	Bolt	螺栓	1	M8x35 C 20
66	1040760	Coupling	联轴器	1	
67	110131	Fitting 1/2"G+hose	接头	2	
68	1040950	Split pin	分叉插销	1	
69	881560	Elbow 90° 1/2"G (M)-(F)	弯管	1	
70	881461	Threaded adapter	螺口连接器	1	
71	1609001	Safety valve	安全阀	1	
72	880831	O-Ring	○型圈	1	▶
73	550450	Ring nut	环形螺母	1	
74	550460	Elbow	弯管	1	
75	390180	O-Ring	○型圈	2	☒

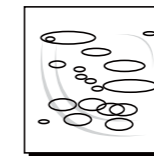
Medium Pressure  
中压



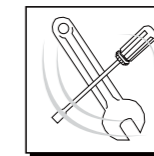
KIT 1986	
Buna diaphragms 丁纳橡胶隔膜	
Pos. 序号	Q.ty 数量
3	3



KIT 1987	
Valves 单向阀	
Pos. 序号	Q.ty 数量
44	6
45	6
46	6



KIT 1984	
O-Rings O型圈	
Pos. 序号	Q.ty 数量
17	6
21	1
22	2
30	3
34	2
41	6
45	6
46	6
50	1

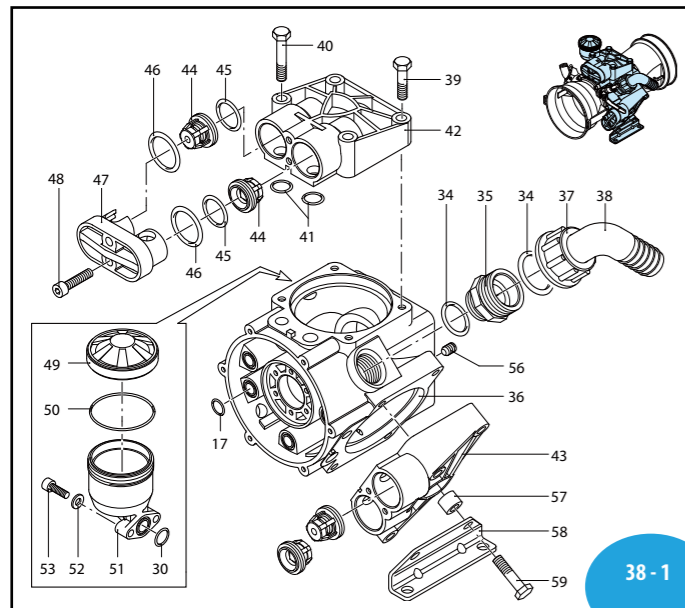


KIT 1985					
Maintenance repair 维修工具					
Pos. 序号	Q.ty 数量	Pos. 序号	Q.ty 数量	Pos. 序号	Q.ty 数量
1	3	37	1		
3	3	38	1		
13	1	41	6		
17	6	44	6		
20	1	45	6		
21	1	46	6		
22	2	47	3		
30	3	49	1		
31	1	51	1		
34	2	80	1		

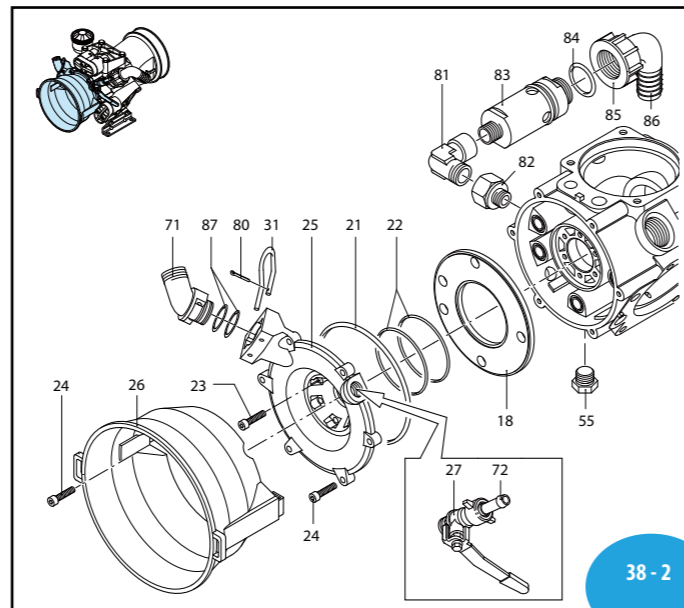


Used oil 使用机油		
Type / 类型	Kg	
SAE 30	0,6	

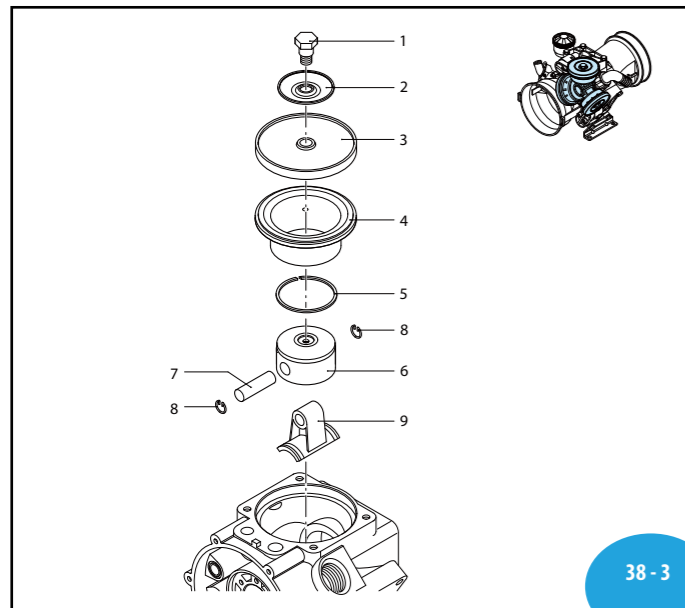




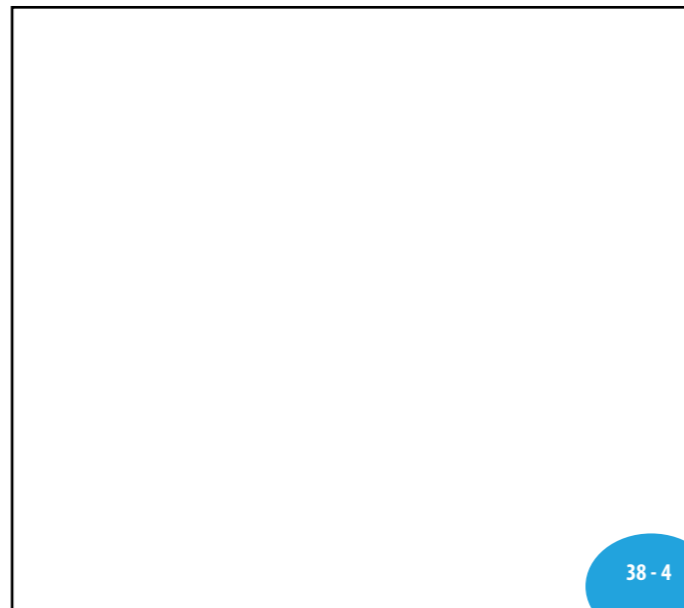
UN970058-DD



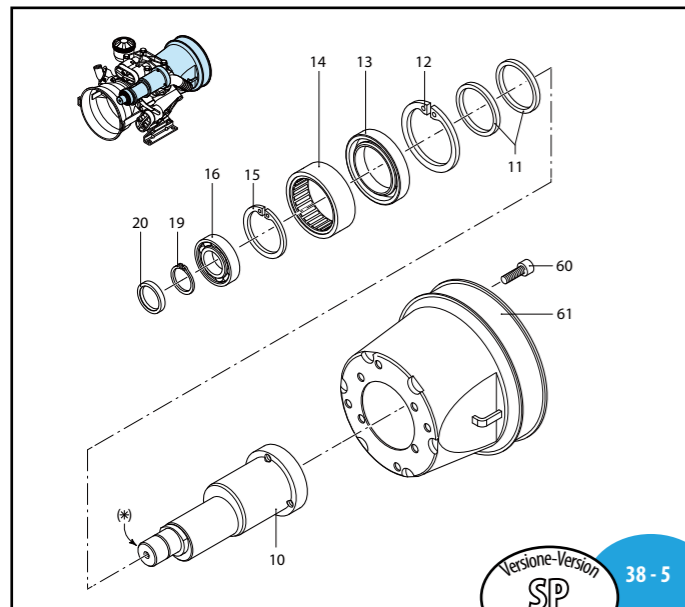
UN970059-LJ



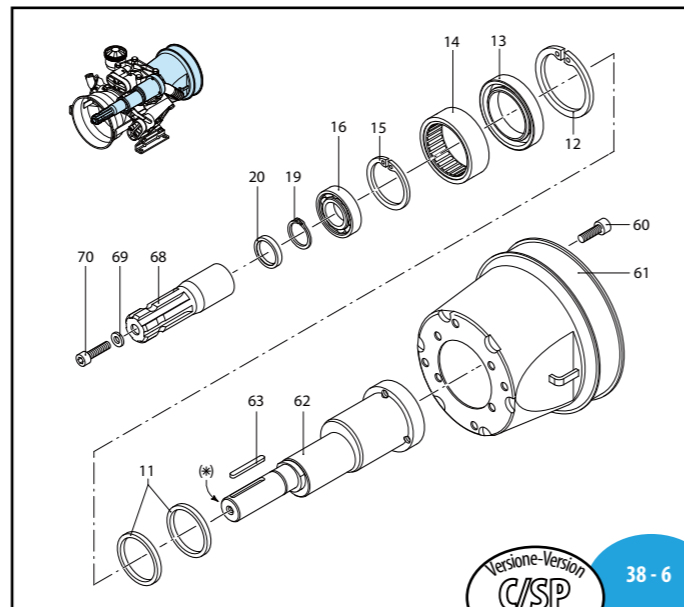
UN970062-LJ



38 - 4



UN970060-LE



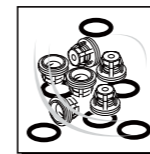
UN970061-LE

Pos.	Cod.	Descrizione	Description	Q.ty	Note
1	580360	Perno membrana	Diaphragm pin	3	● C <sub>30</sub>
2	1040180	Piastra di richiamo	Plate	3	
	620080	Membrana	Diaphragm	3	Gomma
	620081	Membrana	Diaphragm	3	Viton
	620085	Membrana	Diaphragm	3	Desmopan
4	1300110	Camicia	Sleeve	3	
5	160230	Segmento elastico	Piston ring	3	
6	620120	Pistone	Piston	3	
7	380300	Spinotto	Piston pin	3	
8	380080	Anellino spinotto	Pin ring	6	
9	1300140	Biella	Connecting rod	3	
10	1300170	Albero universale "SP"	"SP" shaft	1	(Z)
11	1300120	Anello biella	Con rod ring	2	
12	1300240	Anello seeger	Circlip	1	
13	1300220	Anello tenuta	Seal ring	1	▶
14	1300210	Astuccio a rullini	Roller bearing	1	
15	1260790	Anello seeger	Circlip	1	
16	180400	Cuscinetto	Bearing	1	
17	740291	OR ø 14x1,78	O-Ring	5	Viton ▶
18	1300020	Separatore condotti	Manifold plate	1	
19	1300050	Anello seeger	Circlip	1	
20	1300230	Anello tenuta	Seal ring	1	▶
21	1300270	OR ø 126,67x2,62	O-Ring	1	
22	640030	OR ø 60x2,62	O-Ring	2	
23	880280	Vite TCEI M 6x18	Bolt	6	C <sub>10</sub>
24	1040370	Vite TCEI M 6x22	Bolt	6	C <sub>10</sub>
25	1300030	Condotto mandata	Manifold	1	
26	1500130	Protezione cardano	Cardan protection	1	
27	130491	Rub. 3/8"-1/2" G (M) DX	Right valve	1	ex 30491 ◀
30	390180	OR ø 18,72x2,62	O-Ring	1	▶
31	1040690	Forcella	Fork	1	
34	390290	OR ø 29x3	O-Ring	2	▶
35	450120	Nipples 1"-1 1/4 G (M)	Threaded adapter	1	
36	1300010	Corpo pompa	Pump body	1	
37	580060	Girello 1 1/4 G	Ring nut	1	
38	580040	Curva ø 30	Elbow	1	
39	200230	Vite TE M 10x45	Bolt	4	C <sub>45</sub>
40	640230	Vite TE M 10x60	Bolt	4	C <sub>45</sub>
41	480441	OR ø 17,13x2,62	O-Ring	6	Viton ▶
42	1300101	Testa DX	Right head	2	
43	1300102	Testa SX	Left head	1	
44	1409050	Valvola completa	Complete valve	6	
	620030	OR ø 25,80x3,53	O-Ring	6	▶
	620031	OR ø 25,80x3,53	O-Ring	6	Viton ▶
46	540361	OR ø 33,05x1,78	O-Ring	6	▶
47	1300190	Tappo valvola	Valve cap	3	
48	620610	Vite TCEI M 8x30	Bolt	6	C <sub>20</sub>
49	1040322	Tappo serbatoio nero	Black oil tank cap	1	

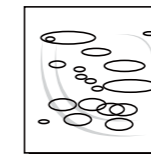
Pos.	Cod.	Descrizione	Description	Q.ty	Note
50	650920	OR ø 53,65x2,62	O-Ring	1	▶
51	1040310	Serbatoio olio	Oil tank	1	
52	550331	Rosetta øi 6,5	Washer	2	
53	850850	Vite TCEI M 6x30	Bolt	2	C <sub>10</sub>
55	880530	Tappo 3/8" G	Plug	1	● C <sub>20</sub>
56	770070	Grano M 10x10	Dowel	1	● C <sub>10</sub>
57	1300280	Distanziale piede	Spacer	2	
58	1300090	Piede	Base	2	
59	1300360	Vite TE M 10x65	Bolt	4	C <sub>45</sub>
60	820670	Vite TCEI M 10x16	Bolt	4	C <sub>10</sub>
61	1500350	Protezione cardano	Cardan protection	1	
62	1300160	Albero passante	Through-shaft	1	Per/For "C/SP" (K)
63	650250	Linguetta	Key	1	
68	650300	Giunto cardano	Universal joint	1	
69	961340	Rosetta øi 8,5	Washer	1	
70	680350	Vite TCEI M 8x35	Bolt	1	C <sub>20</sub>
71	1040760	Attacco 3/4" G	Coupling	1	
72	110131	Racc. 1/2" G+ tub. ø10	Fitting 1/2" G+hose ø10	2	
80	1040950	Copiglia	Split pin	1	
81	881560	Gomito 90° 1/2" G (M)-(F)	Elbow	1	■
82	881461	Manic. 3/8"-1/2" G (M)-(F)	Threaded adapter	1	■
83	1609001	Valvola di sicurezza	Safety valve	1	■
84	880831	OR ø 15,54x2,62	O-Ring	1	▶
85	550450	Girello 3/4" G	Ring nut	1	
86	550460	Curva ø 18	Elbow	1	
87	390180	OR ø 18,72x2,62	O-Ring	2	☒



KIT 1986 Membrane gomma Buna diaphragms	
Pos.	Q.ty
3	3



KIT 1987 Valvole Valves	
Pos.	Q.ty
44	6
45	6
46	6



KIT 1984 OR O-Rings	
Pos.	Q.ty
17	6
21	1
22	2
30	3
34	2
41	6
45	6
46	6
50	1



KIT 1985 Pronto intervento Maintenance repair					
Pos.	Q.ty	Pos.	Q.ty	Pos.	Q.ty
1	3	37	1		
3	3	38	1		
13	1	41	6		
17	6	44	6		
20	1	45	6		
21	1	46	6		
22	2	47	3		
30	3	49	1		
31	1	51	1		
34	2	80	1		



Olio utilizzato Used oil		
Tipo - Type	Kg	
SAE 30	0,6	

Media Pressione  
Medium Pressure